

MB SERIES

MB214 Bell



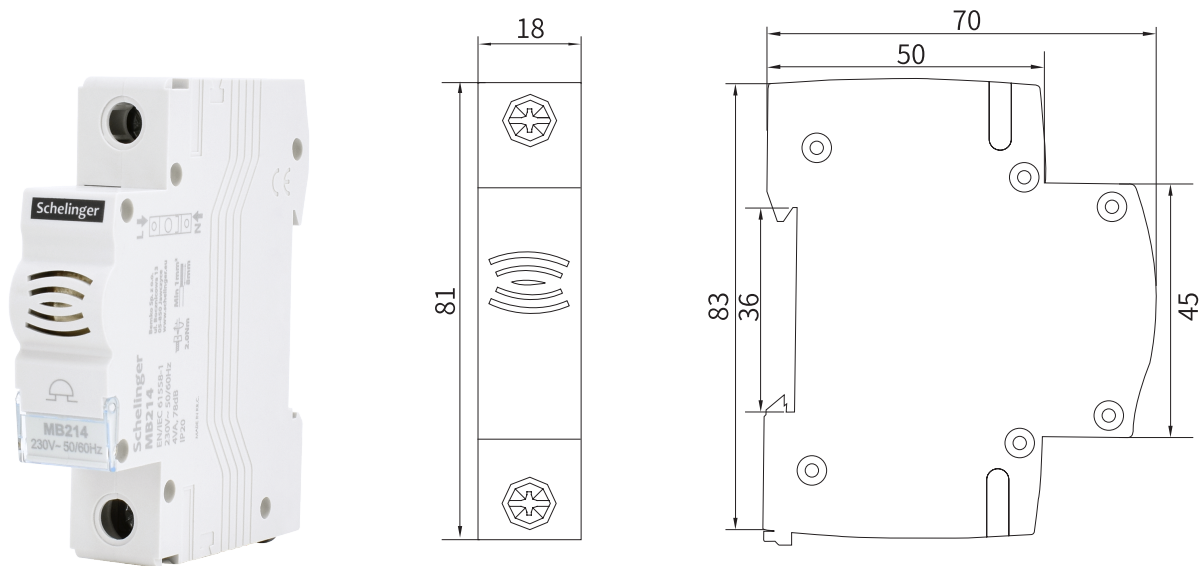
MB Series

MB214 Bell

Standard	EN/IEC 61558-1
Electric ratings	230V 50/60Hz
Installation class	II
Pollution grade	II
Working condition	Short-time working
Degree of protection	IP20
Mounting	35mm DIN rail

Operational voltage(V)	Code NO.	Capacity (VA)	Noise level	Packing unit
230	MB214	4.0	78dB	12

Overall and mounting dimensions



MB214