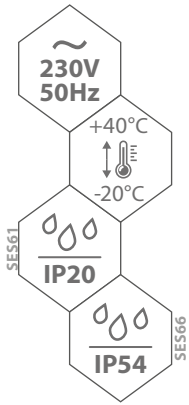


## SES

PRÄSENZSENSOR  
 SENSORE DI PRESENZA  
 SENZOR PŘÍTOMNOSTI  
 ДАТЧИК ПРИСУТСТВИЯ

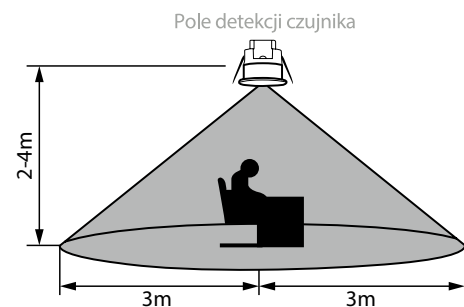
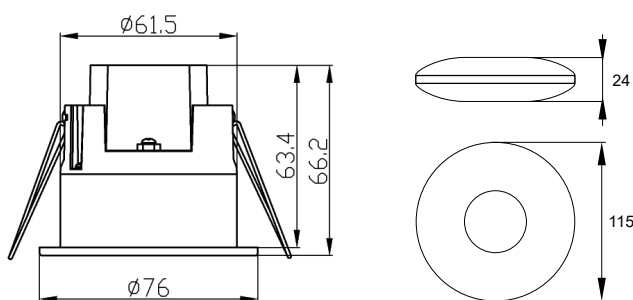
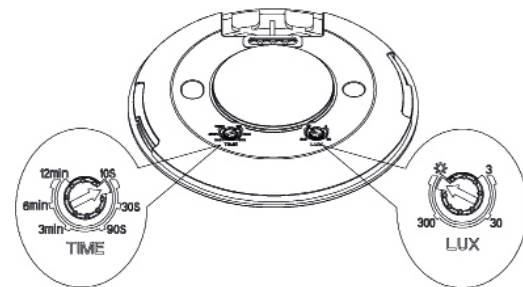
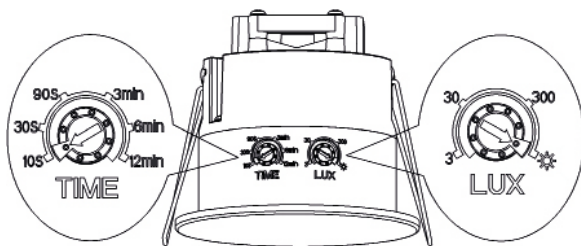
**NEW**



SES66



SES61



code  
 B54-SES61WH  
 B54-SES66WH

EAN  
 5900280984265  
 5900280984258

package  
 1/50  
 1/50

method of adjustment  
 time / lux  
 time / lux

sensor type  
 microwave sensor,  
 surface-mounted  
 presence sensor,  
 flush-mounted

detection range  
 360° max. Ø6 m  
 360° max. Ø6 m

power [W]  
 (incandescent / LED)  
 2000 / 1000  
 1200 / 600