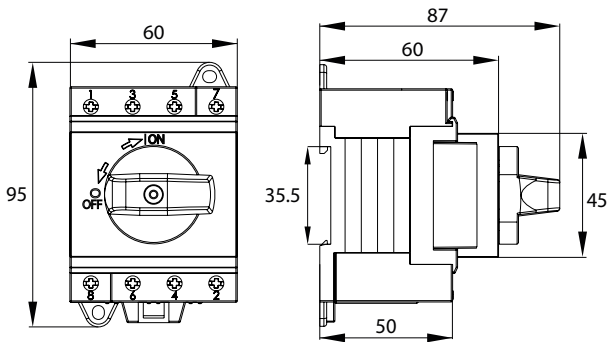


PV SWITCH DISCONNECTOR

Schelinger

NEW



Schelinger



U_e

U_i

I_e



CODE

EAN

Overvoltage category

Rated connection voltage

Rated insulation voltage

Switching current

Price

A11-R9-4P-DC1200-32

5900280957733

II

max. 1200V DC

1200V

32A

12,55 EUR

BEMKO

LUXMENA Schelinger

Bemko Sp. z o.o. 05-850 Jawczyce, ul. Bocznicowa 13 tel. (022) 732 11 85